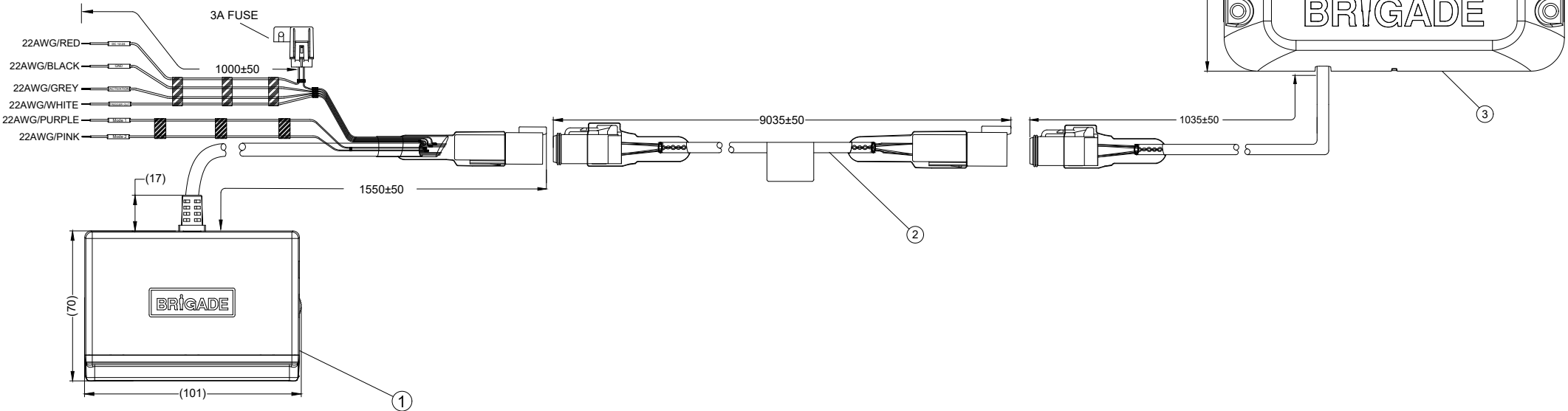


ITEM	PART NO	QTY	MODEL / DESCRIPTION
①	(7090)	1	BS-7100D BACKSENSE® DISPLAY – SELECTABLE RANGE 3M/4.5M/6M
②	(4551)	1	BS-09DCX 9M EXTENSION CABLE
③	(6350)	1	BS-9100T BACKSENSE® SENSOR - CAN-BUS NETWORK 77 GHz RADAR - TERMINATED
④	(7552)	1	BS-7100-QSC BS-7100 QUICK-START CARD (NOT SHOWN)



NOTES:  
 1. REFER TO COMPONENT DRAWINGS FOR COMPONENT DETAILS.  
 2. FOR PACKAGING & LABELING DETAIL REFER TO THE LATEST REVISION OF THE MASTER BOM.

**PROPRIETARY NOTICE**  
 THIS DESIGN AND TECHNICAL INFORMATION APPEARING ON THIS DRAWING IS THE PROPERTY OF BRIGADE ELECTRONICS, AND IS DISCLOSED IN CONFIDENCE. IT IS NOT TO BE COPIED, REPRODUCED, REVEALED TO OR EXPROPRIATED BY OTHERS, EITHER IN WHOLE OR IN PART WITHOUT THE EXPRESS WRITTEN CONSENT OF BRIGADE ELECTRONICS.



Assembly Pl Approval DENNIS	Approved by A. KEBEDE	Checked by D. FOALE	Drawn by L. CHEUNG
	Units mm	Scale N/A	Released 01/08/23
Angle of Projection Third Angle	Status RELEASED	Assembly Ref BS-7100	
	Part No 7248	BE-004611-00-21	